



**TOYOTA**

ALWAYS A  
BETTER WAY

# Toyota C-HR

## Roof rack

Installation instructions

Model year: 2016/10  
Vehicle code: \*\*X\*0\*-AH\*\*\*W  
                  \*\*X\*0\*-AH\*\*\*X  
Part number: PW301-10000

Manual reference number: AIM 003 822 - 0

# Revision Record

Rev. No.	Date	Page	Picture	Update	New	Deleted steps

**A1**

**A2**

**PW301-10000**

**1x**

**B**

**PW301-10002**

**1x**

**C**

**PW301-10003**

**1x**

**D**

**90467-06207**

**4x**

**E**

**PZ403-00610-03**

**1x**

**F**

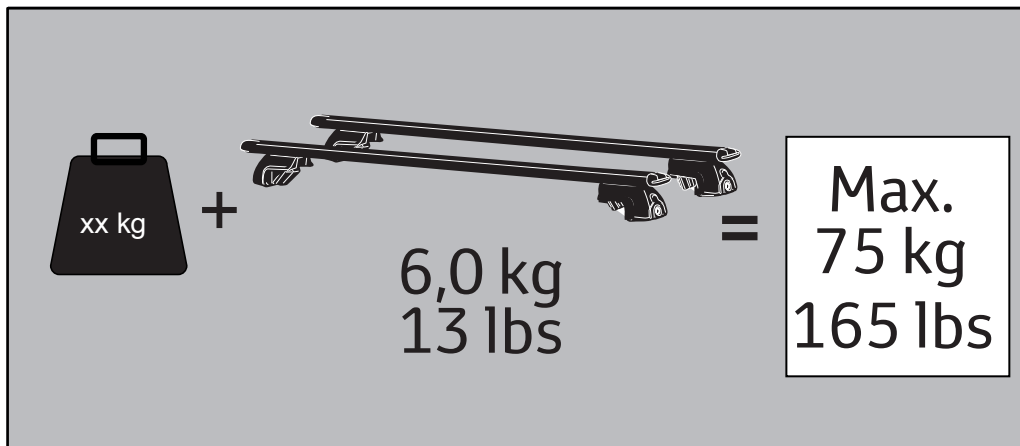
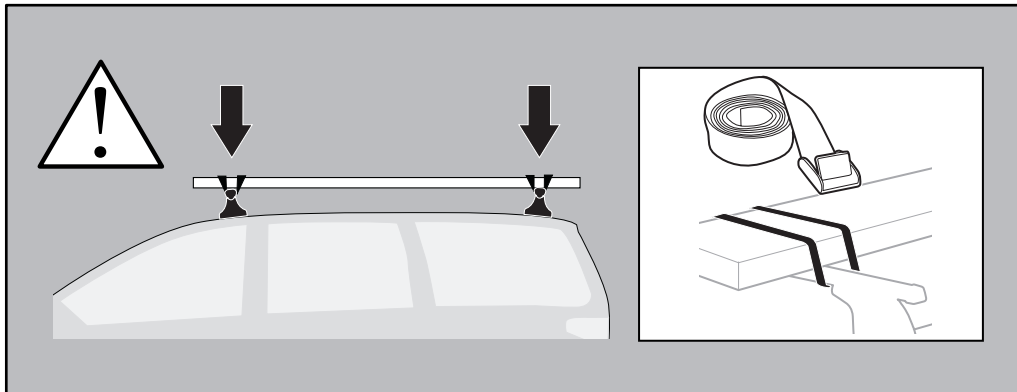
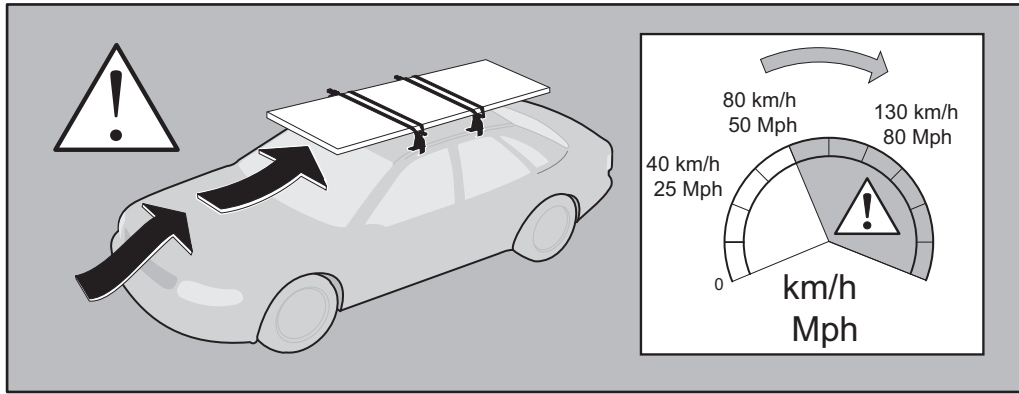
**PW301-10004**

**2x**

**G**

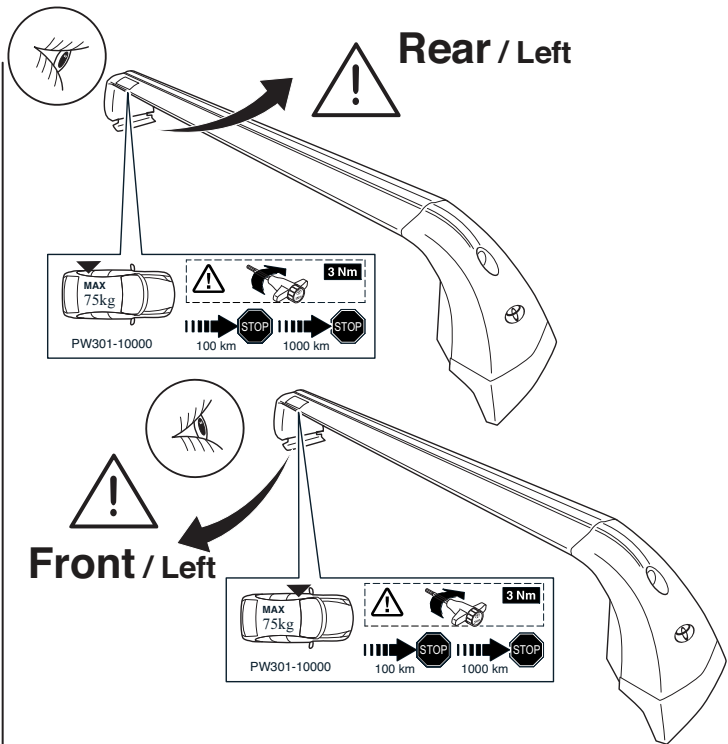
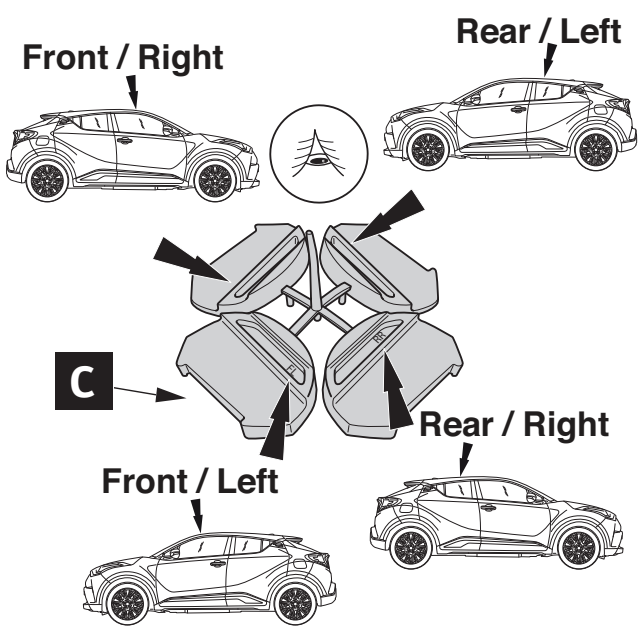
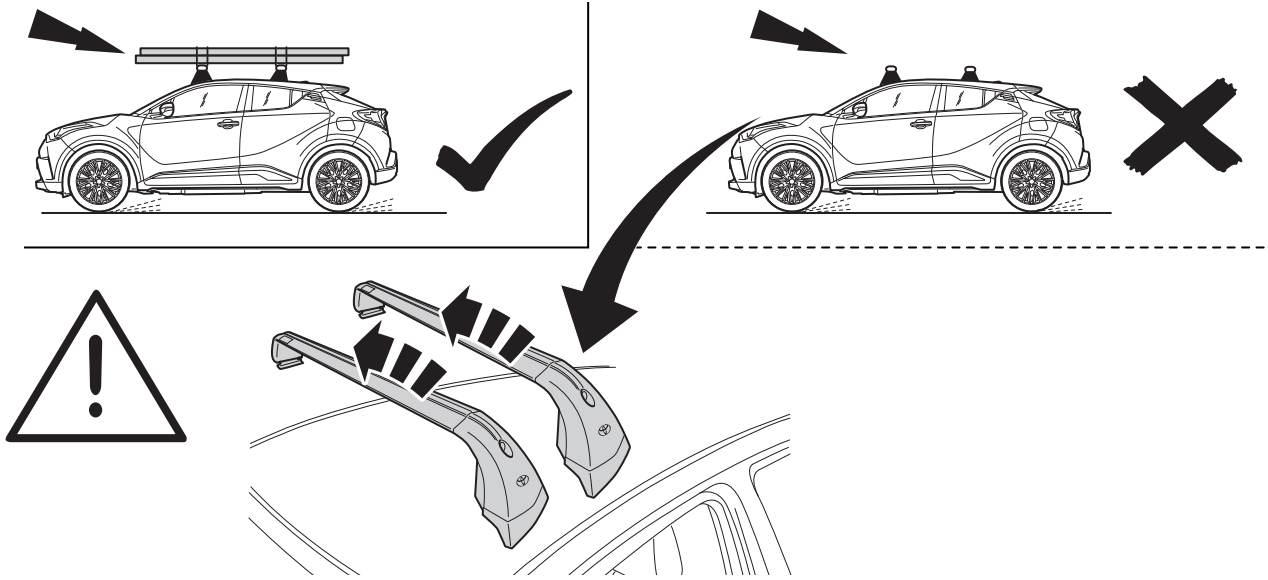
**PZ403-E2611-04**

**3x**

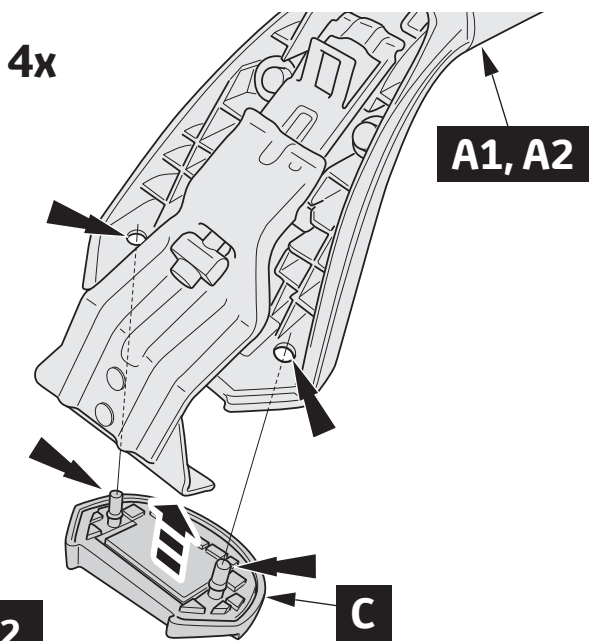


**CITY CRASH**  
Complies with ISO norm

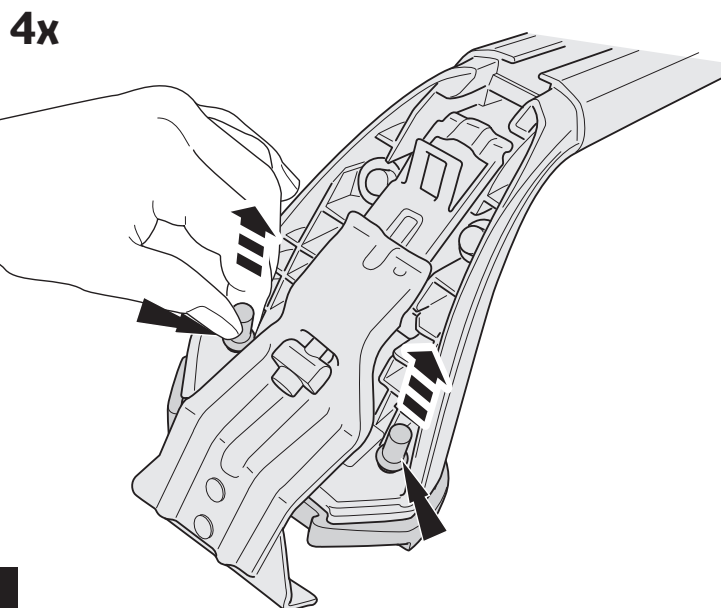
ISO 11154-E



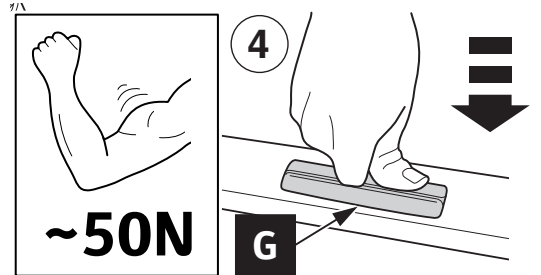
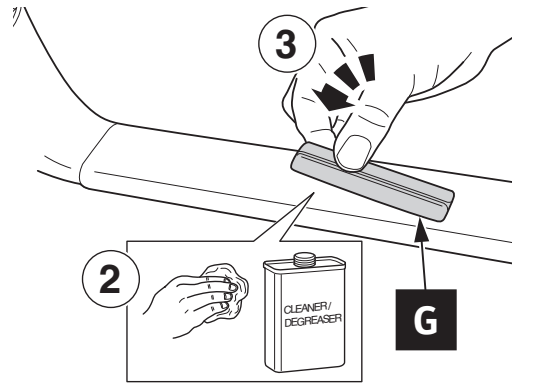
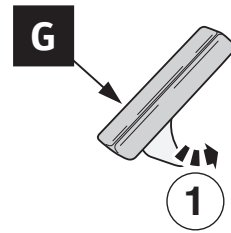
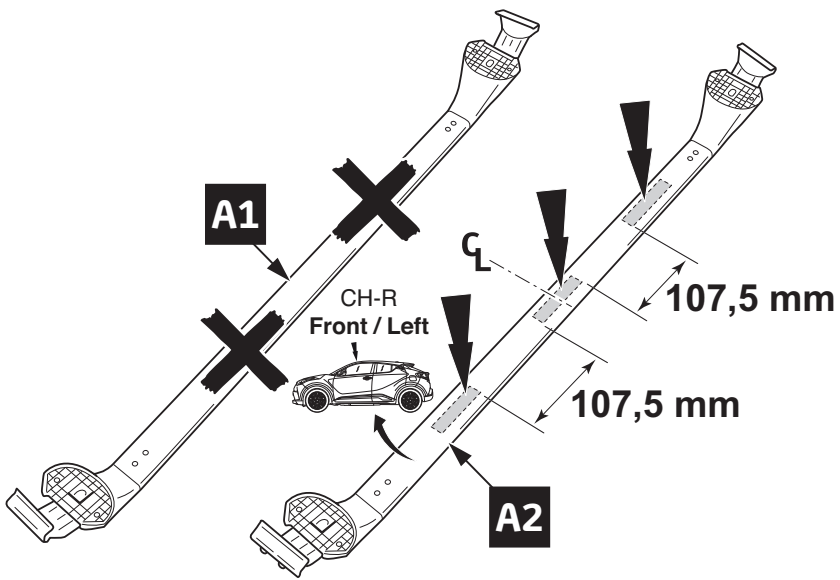
1

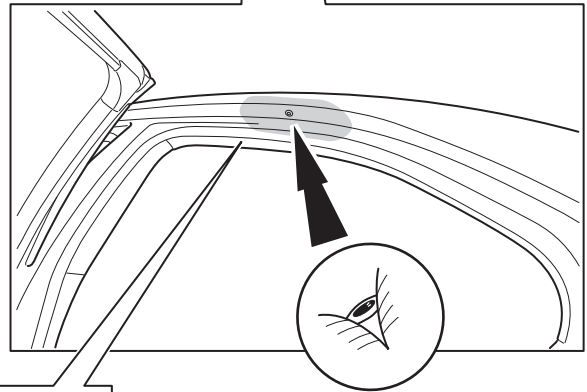
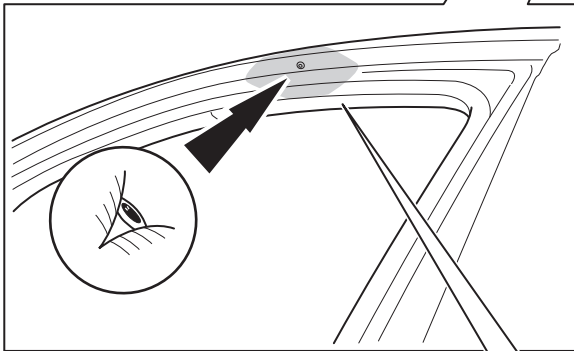
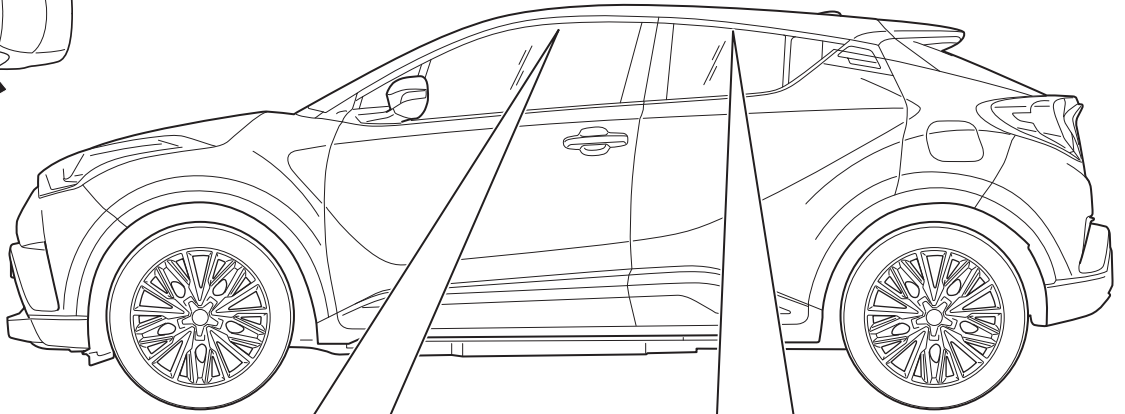
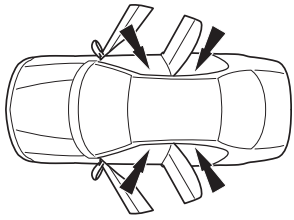


2

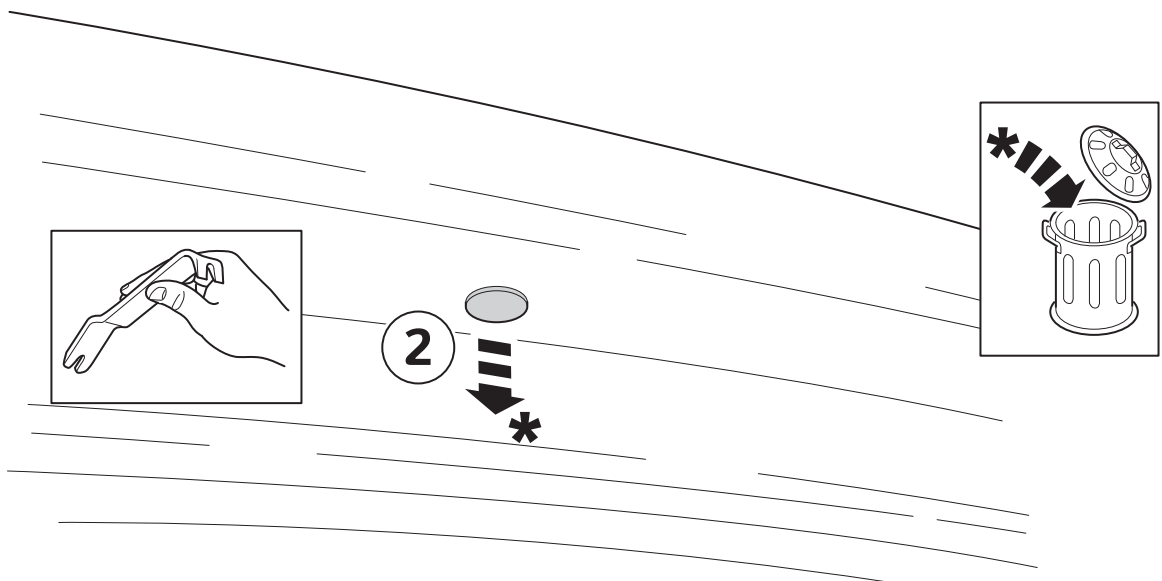


3

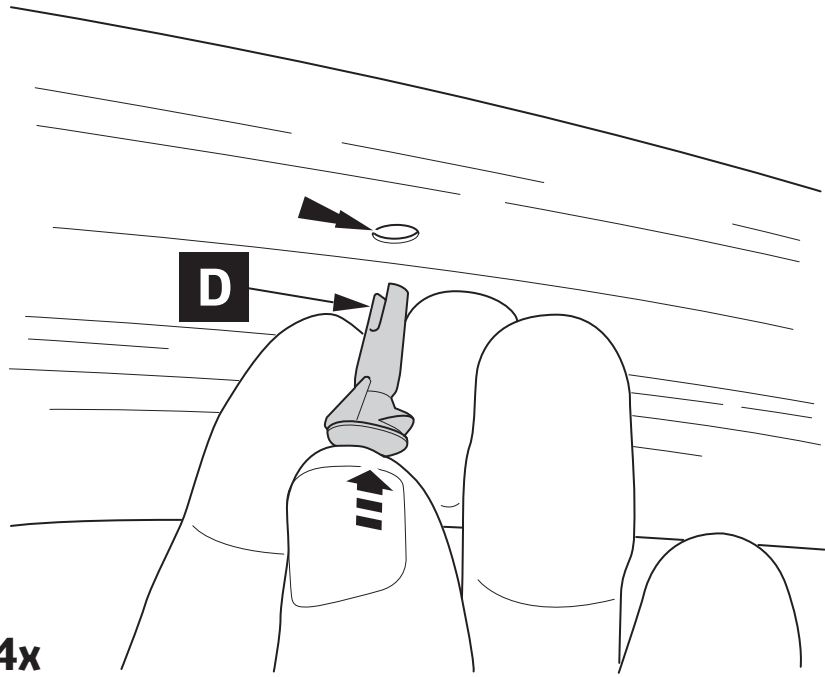
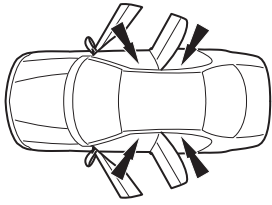




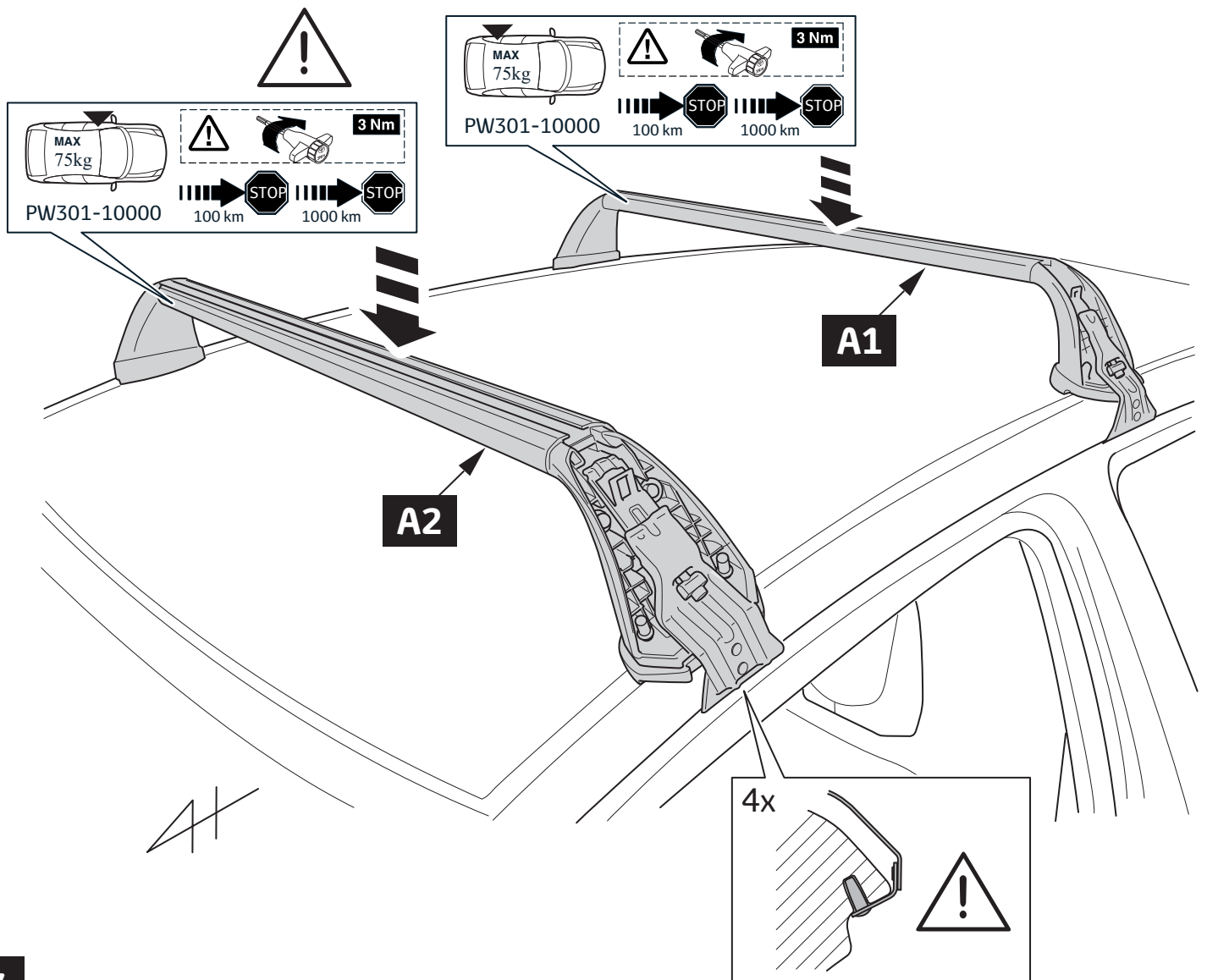
4x



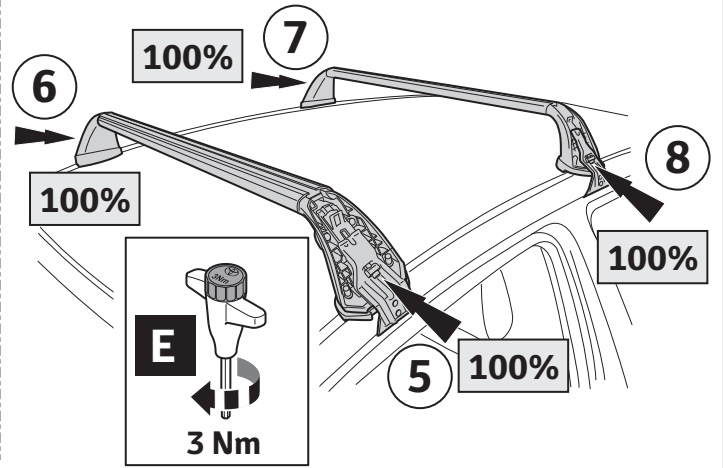
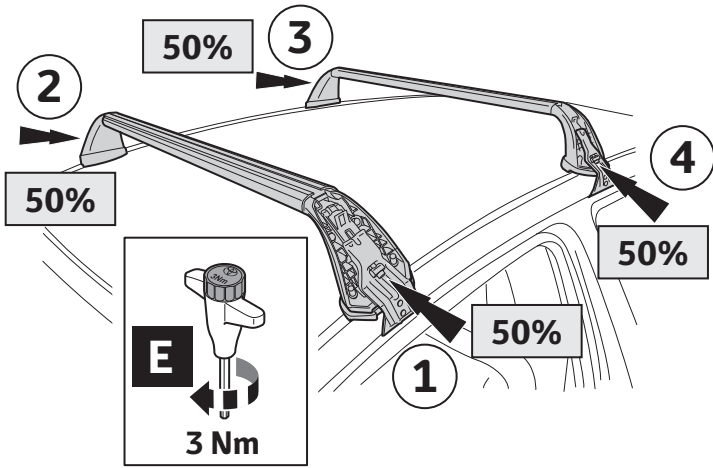
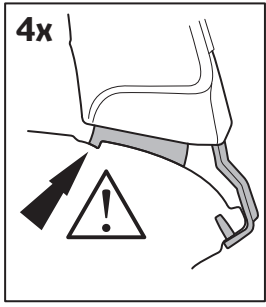
5



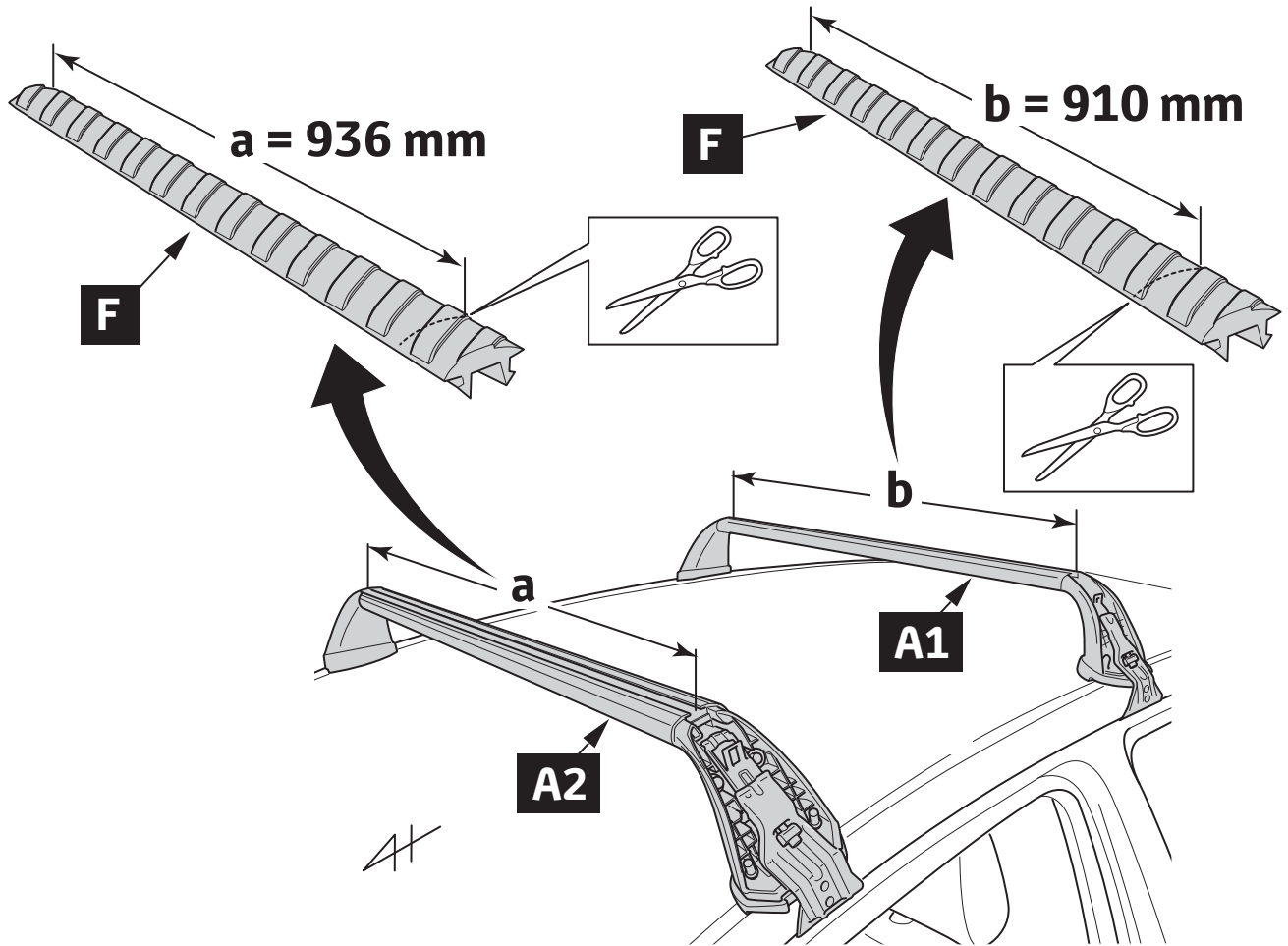
6



7

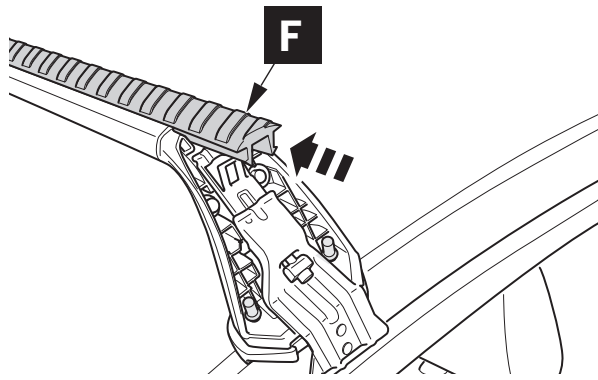


8

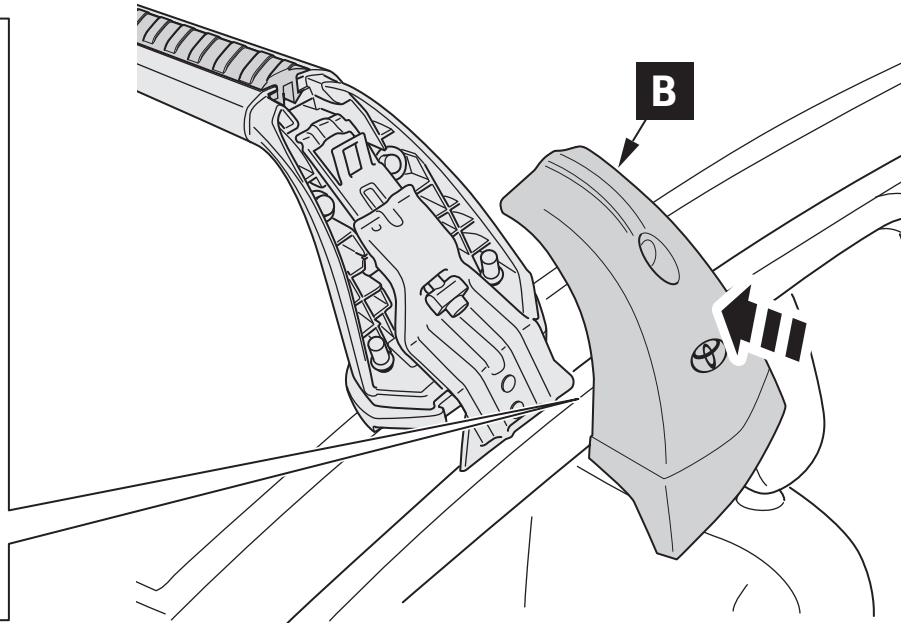
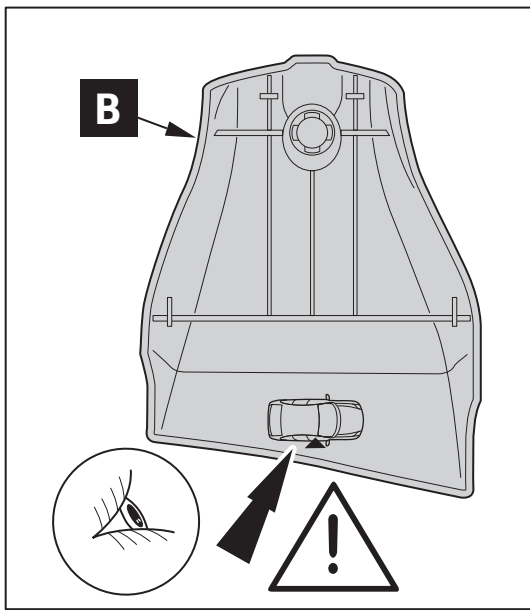


9

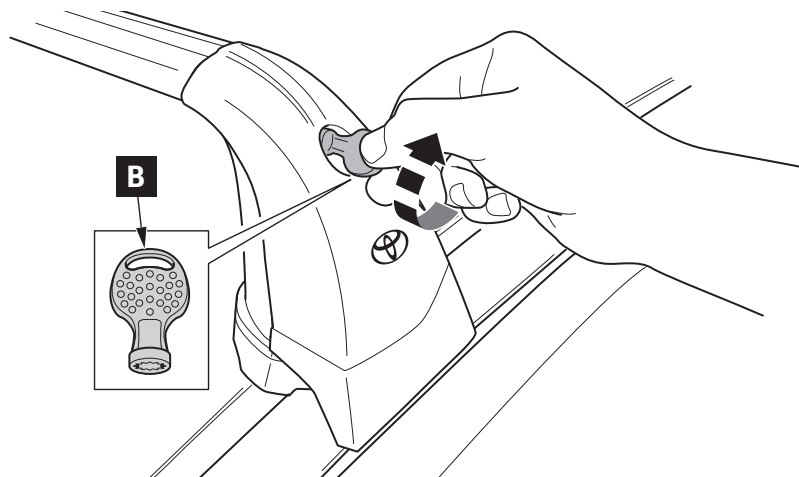




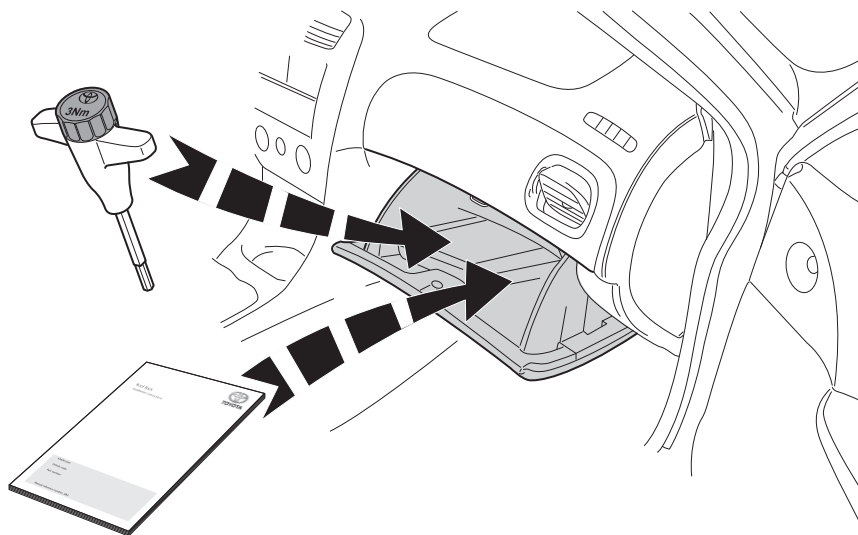
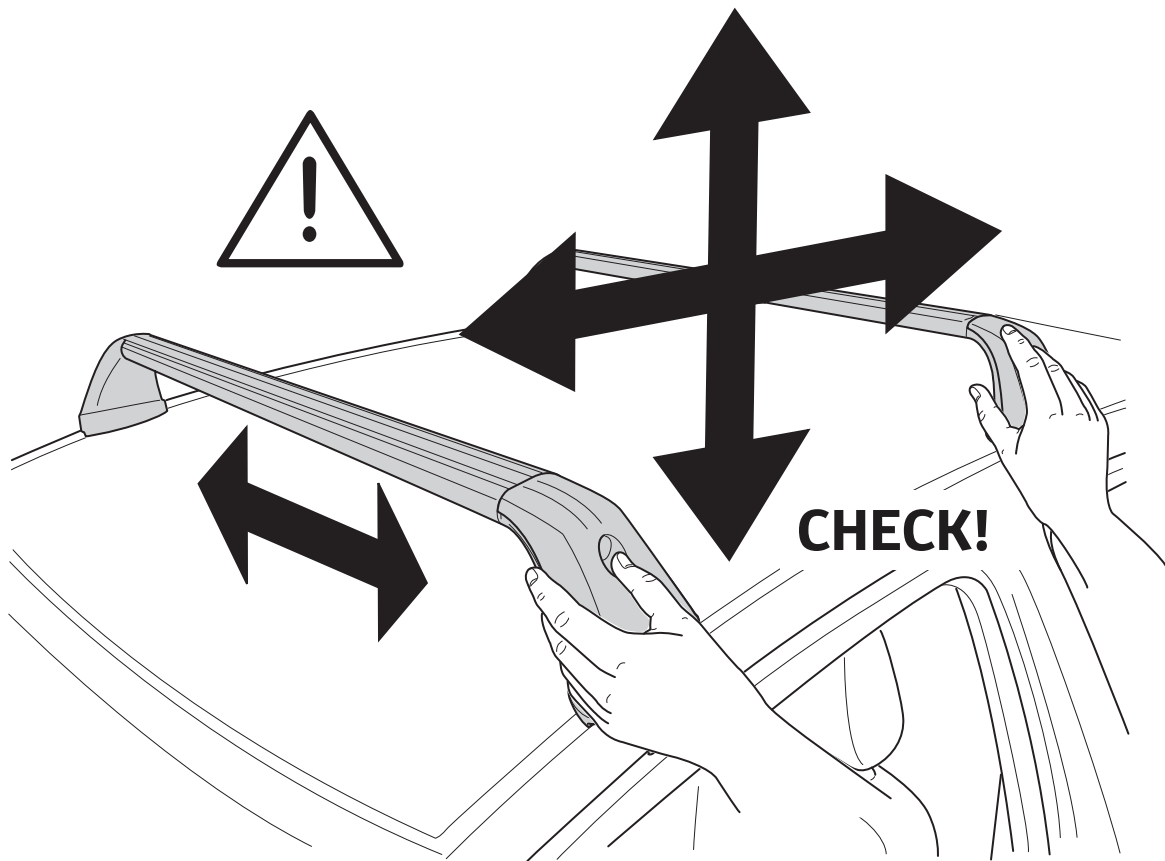
10

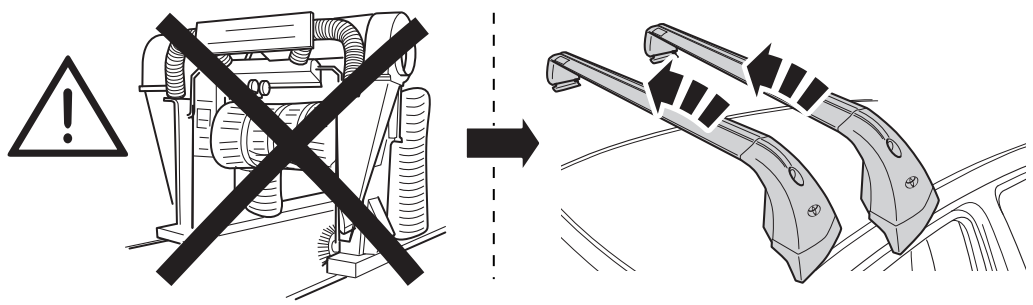
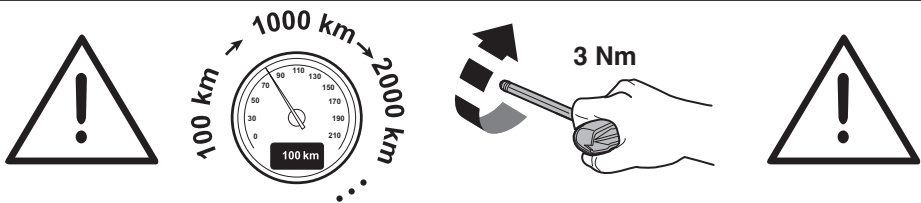
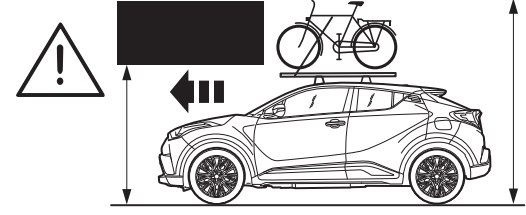
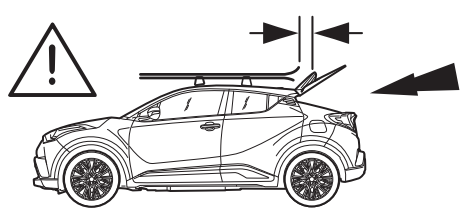
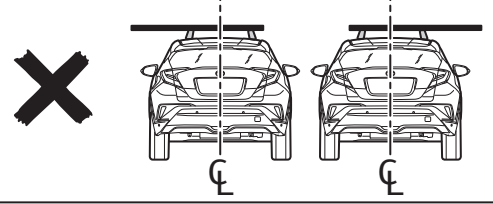
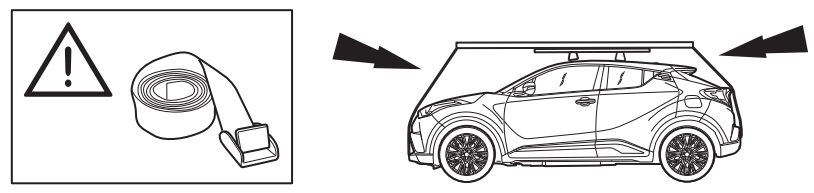
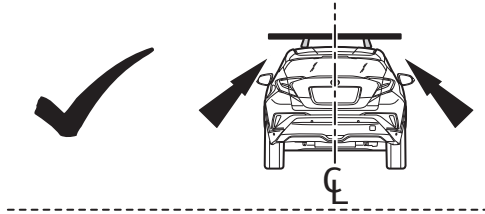
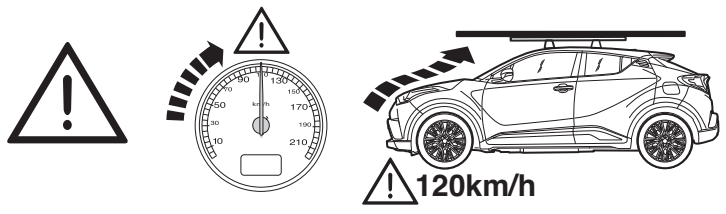
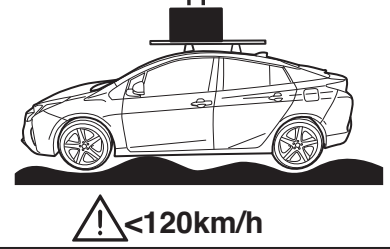
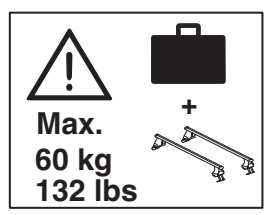
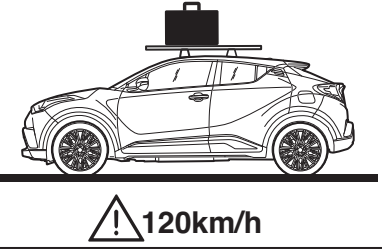
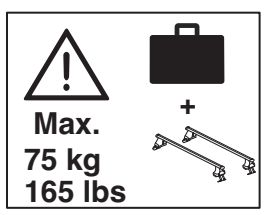
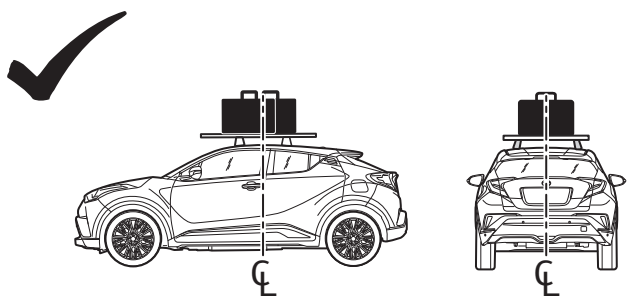
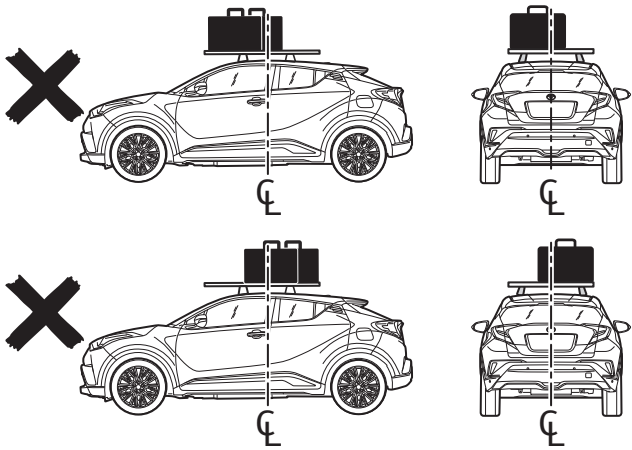


11



12





# CHECK SHEET



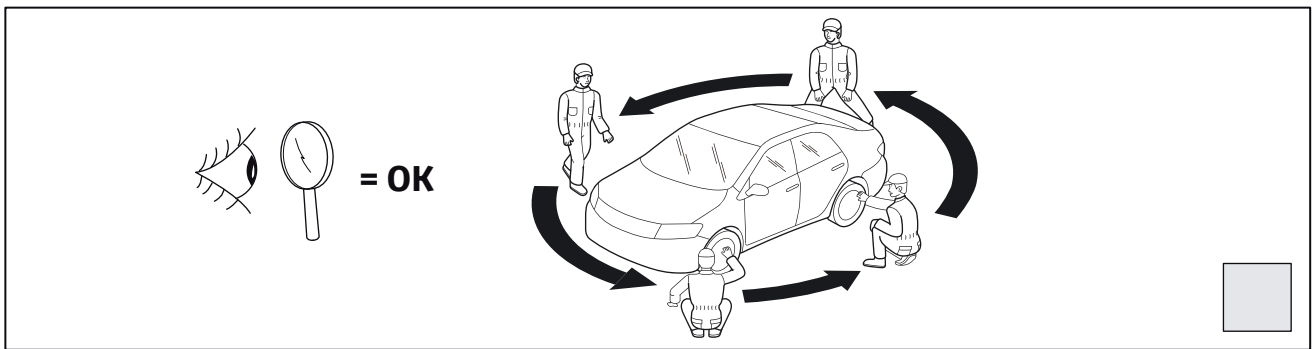
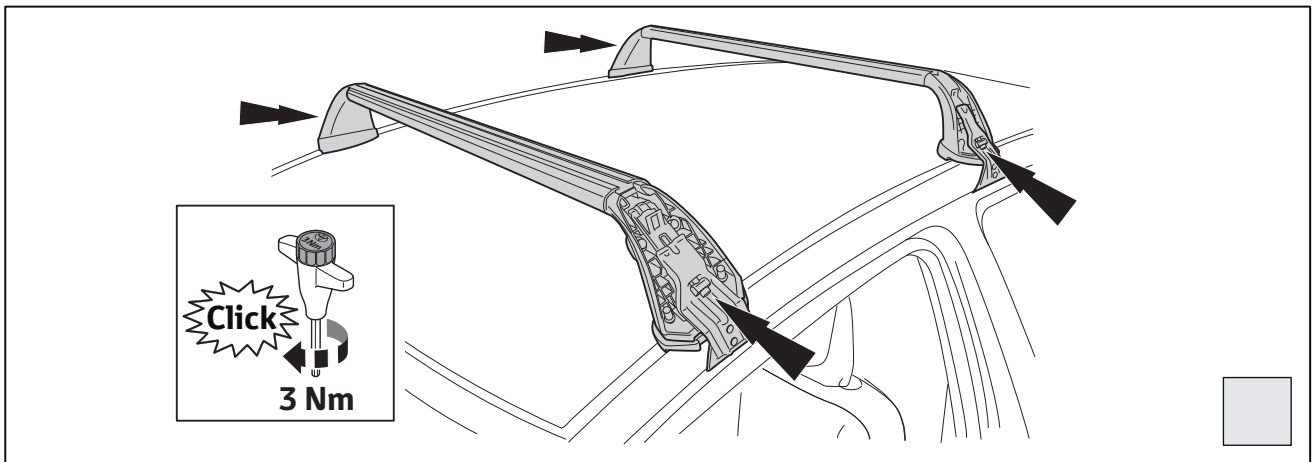
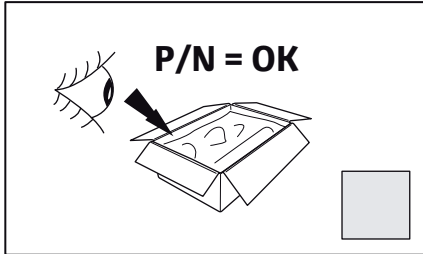
**TOYOTA**

**Model / Year** C-HR 2016/10

**Roof Rack**

**VIN n°**

ALWAYS A  
BETTER WAY



**Installation Date:**  
... / ... / .....

**Technician Name & Signature:**

**Stamp:**